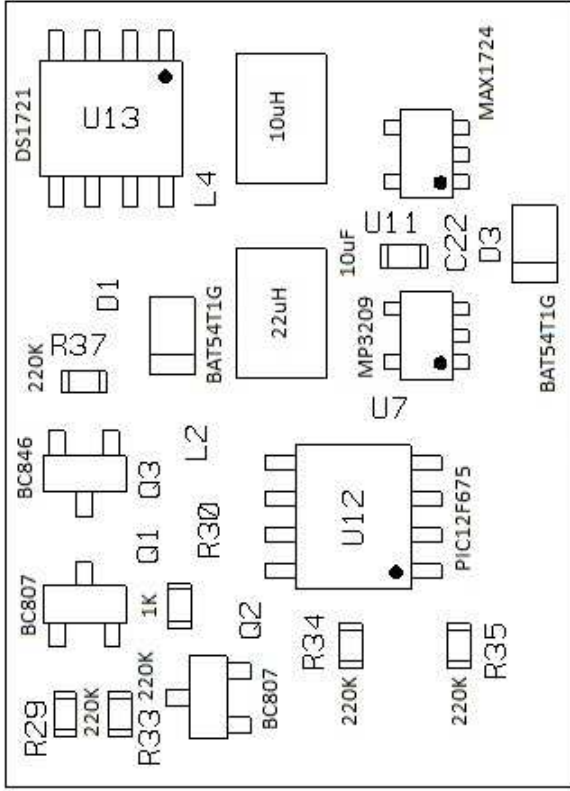
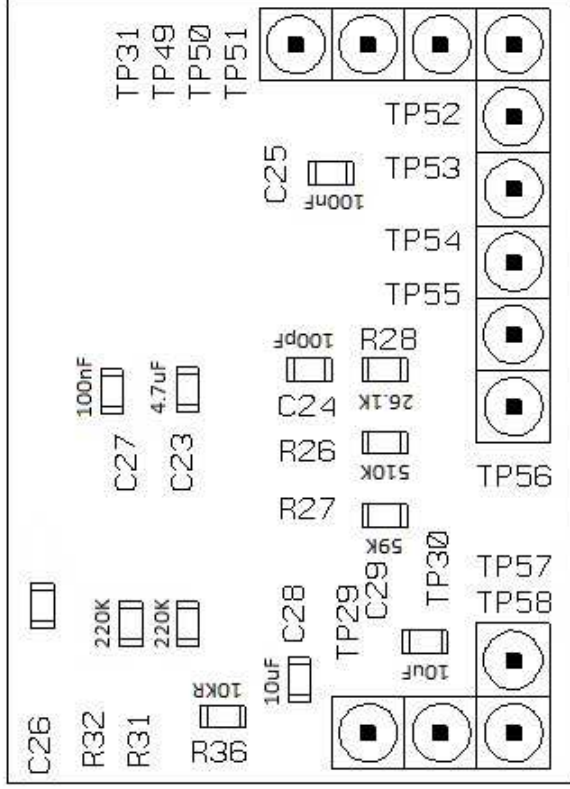


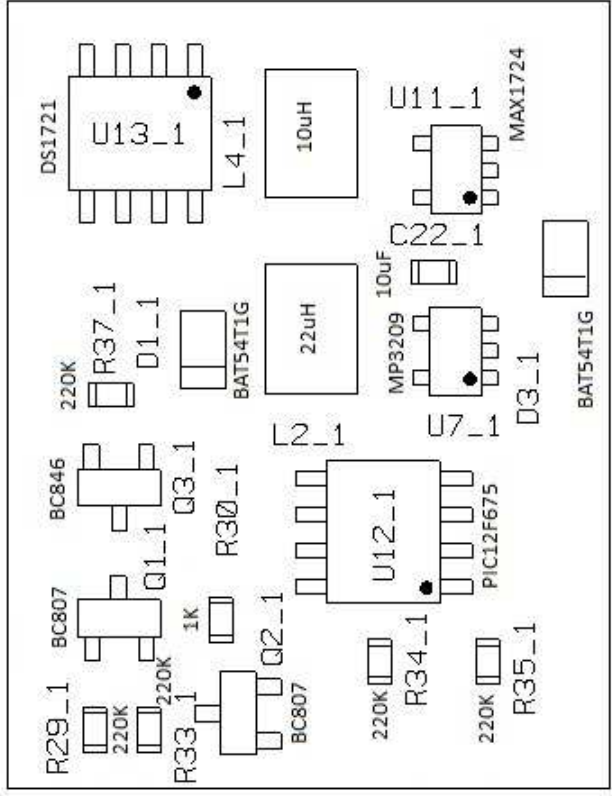
PCB1 TOP VIEW



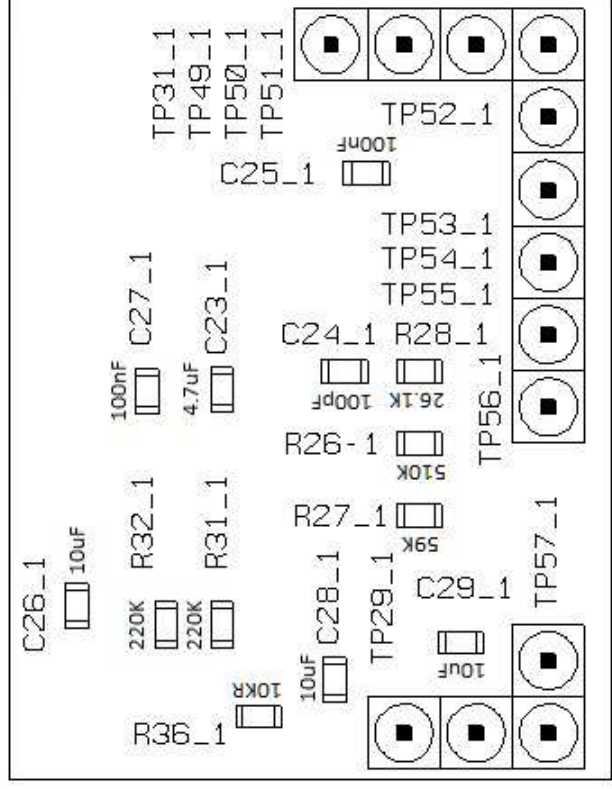
PCB1 BOTTOM VIEW



PCB2 TOP VIEW



PCB2 BOTTOM VIEW



TP30_1
TP58_1